

SIMPLY

FLEXIBLE

SIMPLY is suitable for any type of roof.

EASY AND QUICK

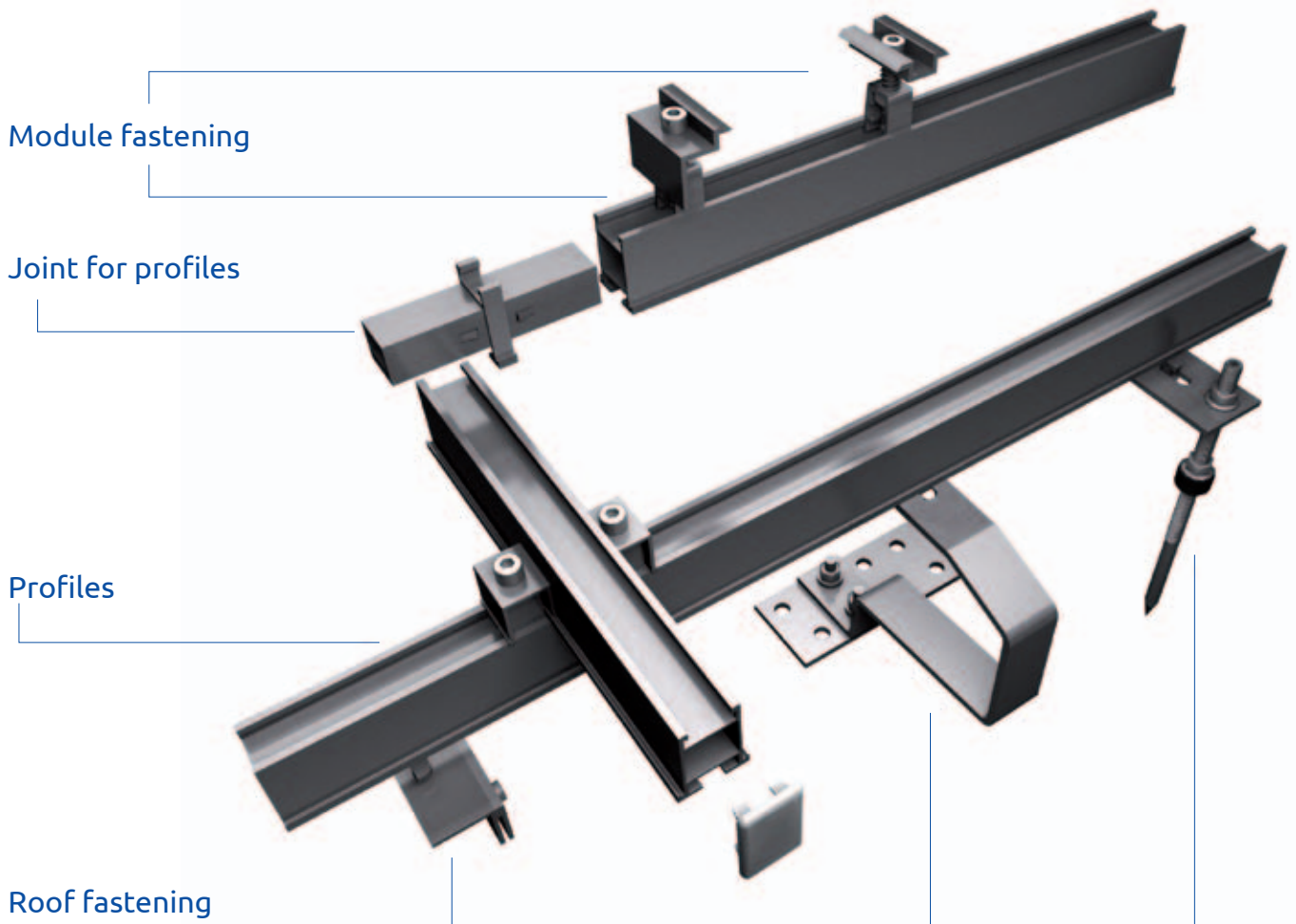
Thanks to the clip, clamps and cross-rails elements are securely fastened into profiles.

LIGHT

Reduced weight thanks to the optimized cross-section.

HIGH LOAD CAPACITY

Despite the low weight, stability and load resistance are guaranteed..



A reliable snap-in system, suitable for all roof types

The new **mounting system SIMPLY** combines **flexibility and practicality** and makes mounting operations on roofs easier **and quicker**.

With this new system, VP Solar offers clamps that easily fasten into the special SIMPLY profiles through tailored made clips. SIMPLY sets new standards in terms of reliability as the profiles provide **excellent stability despite their low weight**.

VP SOLAR MOUNTING SYSTEMS

- Suitable **for any roof**
- Planning of tailored-made solutions
- **Lifelong quality** by using durable materials
- **Production of all components according** to international standards
- Regular quality audit
- For all modules types



MOUNTING SYSTEMS

are the basis of every solar power system. Choose high quality products that can withstand the rigors of atmospheric wind, rain and snow is extremely important to provide strong support to the PV modules.





⊕ **ROOF FASTENING: suitable for all roof types**

SIMPLY is a universal system and can be combined with all roof-fastening elements of VP Solar catalogue, using M10 nuts and bolts.

⊕ **PROFILES: quick and bolt-free connections**

For the connection of two profiles, we have developed the **SIMPLY joint for profiles**. This element ensures maximum stability because small "teeth" on the joint prevent profiles' detachment.

The connector allows continuous rows of up to 15 m.



⊕ **CROSS-RAIL SYSTEM**

Elements for cross-rail system are offered in pre-assembled sets.

A set consists of cross connectors, Allen bolts with square nuts and the innovative **SIMPLY clip**, which snaps directly into the profile. Place the cross beam profile, insert the clips into the lower profile and lock the fins of the upper profile with those of the cross-rail elements.

Once the screws are tightened, the cross-rail system is ready.

⊕ **MODULE FASTENING: simple, thanks to pre-assembled sets**

SIMPLY terminal and intermediate clamps are offered in pre-assembled set composed by clamp, Allen bolt with square nut and the newly developed **SIMPLY clip**.

Insert the **pre-assembled clamp** **SIMPLY** in the profile and tighten the screws: thanks to the clip the clamp cannot get out of the groove.



QUICK GUIDE: Overview of all SIMPLY components

ARTICLE NUMBER	DESCRIPTION	3 KWP - 2 ROWS OF 6 MODULES
ZSMAP032	Simply aluminium profile - 3,2 m	8 pcs
ZSMAG000	Simply joint for aluminium profile	4 pcs
ZSMATG35	Simply end clamp h. 35 mm aluminium	8 pcs
ZSMAIG01	Simply intermediate clamp 31-41 mm aluminium	20 pcs
ZSMAACPG	Simply plastic end cap	8 pcs

ARTICLE NUMBER	DESCRIPTION	6 KWP - 3 ROWS OF 8 MODULES
ZSMAP032	Simply aluminium profile - 3,2 m	12 pcs
ZSMAP020	Simply profilo alluminio - 2 m	6 pcs
ZSMAG000	Simply joint for aluminium profile	12 pcs
ZSMATG35	Simply end clamp h. 35 mm aluminium	12 pcs
ZSMAIG01	Simply intermediate clamp 31-41 mm aluminium	42 pcs
ZSMAACPG	Simply plastic end cap	12 pcs

Write me for a dedicated offer: riccardo.frasinghelli@vpsolar.com